

**Kemo Electronic GmbH**

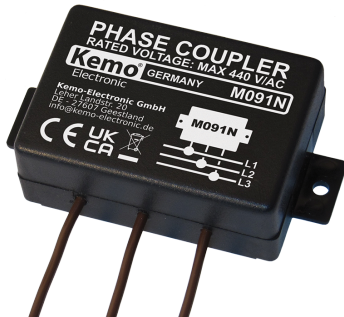
Mato Vukovic
 Leher Landstr. 20
 27607 Geestland
 Germany

Phone: +49 4743 9338-0
 Fax: +49 4743 9338-22

http://www.kemo-electronic.de
 email: info@kemo-electronic.de

HR.Nr. HRB 111 486
 UstNr: DE 814 380 369

M091N - Phase Coupler for Power Line Products



Connects capacitively all 3 in-house mains phases with each other so that transfer rates of up to 650 Mbit via the mains supply can be reached for the internet and computer networking (depending on the nature of the mains supply). If the signal is fed into 1 phase only, the phase coupler connects all 3 phases with each other so that these become permeable to the power line signal and the internet or computer signal will also be available at all other sockets of the in-house network. Also suitable for wireless intercoms! A considerable increase of the range and transmission quality may be achieved!

Technical Data:

For electric circuits: 110 - 440 V/AC

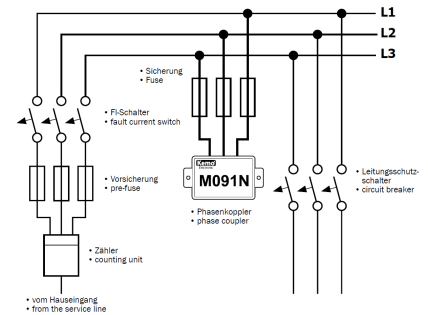
3-phase version: 0,5 - 1000 MHz

For power line products: 10 - 650 Mbit

Measures: ca. 72 x 50 x 28 mm (without fastening straps)

Installation only by an authorized qualified electrician!

ANSCHLUSSBEISPIEL | CONNECTION EXAMPLE



M091N

