

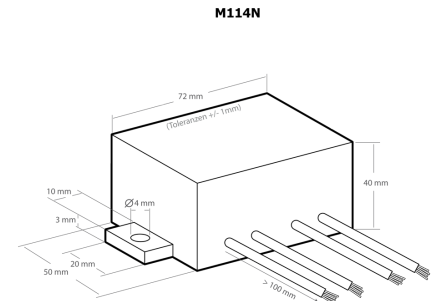
**Kemo Electronic GmbH**

Mato Vukovic
 Leher Landstr. 20
 27607 Geestland
 Germany

Phone: +49 4743 9338-0
 Fax: +49 4743 9338-22

<http://www.kemo-electronic.de>
 email: info@kemo-electronic.de

HR.Nr. HRB 111 486
 UstNr: DE 814 380 369

M114N - Flasher, slow 240 V/AC, 110 V/AC

Flasher with adjustable flash period: ca. 0,6 - 9 seconds turn-on time. Turn-off time ca. 50% of the turn-on time, respectively. Built-in fuse: T 1,6 A. For incandescent lamps or LED-lamps, 10 - 300 watts, 240 V/AC (10 - 150 W at 110 V/AC). Use: billboards, model lighthouse etc.

Technical Data:

Operating voltage: 110 or 240 V/AC

Rupturing capacity: For incandescent lamps or LED-lamps with 210 - 240 V/AC up to max. 300 W or for incandescent lamps or LED-lamps with 110 V/AC up to max. 150 W

Minimum load: 10 W

Safety fuse: installed 1.6 A delay-action

Flash period: approx. 0.6 - 9 seconds on-transition time (adjustable), disconnecting time approx. 50% of the on-transition time.

Dimensions: approx. 72 x 50 x 41 mm (without fixing straps)