



Kemo Electronic GmbH

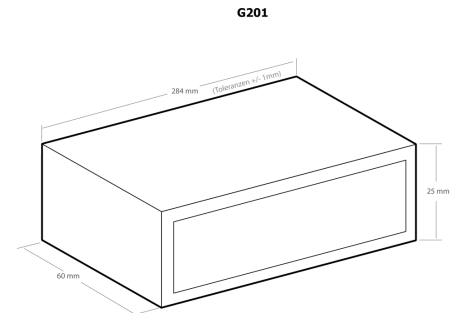
Mato Vukovic
Leher Landstr. 20
27607 Geestland
Germany

Phone: +49 4743 9338-0
Fax: +49 4743 9338-22

<http://www.kemo-electronic.de>
email: info@kemo-electronic.de

HR.Nr. HRB 111 486
UstNr: DE 814 380 369

G201 - Lighting console case, transparent front approx. 284 x 160 x 76 mm



For the self making of lighting console and other big self making pieces of equipment. Solid and stable construction, with transparent front panel.

Technical Data:

Color: black

Dimensions (L x W x D): ca. 284 x 160 x 76 mm (tolerance ~1%)