



Kemo Electronic GmbH

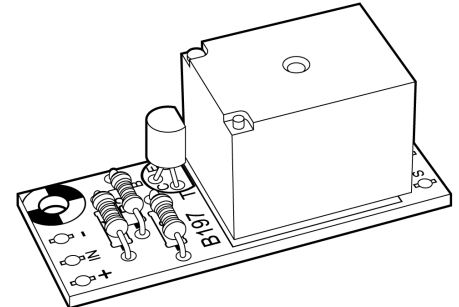
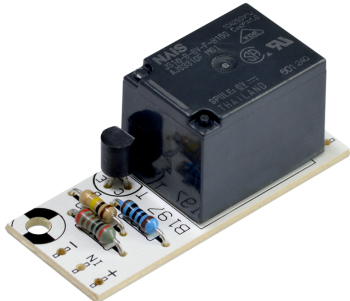
Mato Vukovic
 Leher Landstr. 20
 27607 Geestland
 Germany

Phone: +49 4743 9338-0
 Fax: +49 4743 9338-22

<http://www.kemo-electronic.de>
 email: info@kemo-electronic.de

HR.Nr. HRB 111 486
 UstNr: DE 814 380 369

B197 - Relay card 12 V/DC



This relay card could be released with weak signals from approx. 5 mA upwards and will then switch a relay with a heavy current contact of 3 A. Ideal as switching amplifier for other kits, which have solely a light emitting diode as output and should switch other devices and machines through the relay contact.
 Fitting case: G027N - Plastic Case approx. 72 x 50 x 35 mm

Dane techniczne:

- Operating voltage: 12 V/DC
- Current consumption: < 80 mA
- Contact capacity: 3 A / 30 V
- Contact 1 x ON
- Sensitivity: < 5 mA
- Board dimensions: approx. 44 x 18 mm

