

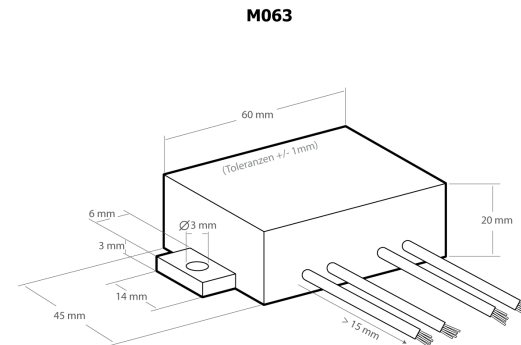
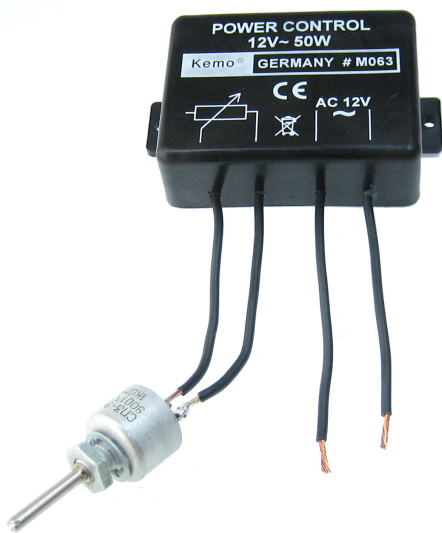
**Kemo Electronic GmbH**

Mato Vukovic  
 Leher Landstr. 20  
 27607 Geestland  
 Germany

Phone: +49 4743 9338-0  
 Fax: +49 4743 9338-22

<http://www.kemo-electronic.de>  
 email: [info@kemo-electronic.de](mailto:info@kemo-electronic.de)

HR.Nr. HRB 111 486  
 UstNr: DE 814 380 369

**M063 - Dimmer 12 V/AC, 50 W (or 24 - 48 V/AC)**

For halogen lamps and motors

Controls continuously 12 V/AC incandescent lamps (e.g. halogen lamps), 12 V/AC heatings, motors (also direct current motors with added rectifier), etc.. Only to be operated at a 12 V/AC transformer (50 - 60 Hz), not suitable for DC voltage (accumulator)! It is also possible to control 24 V/AC (potentiometer 2.2 k lin.) or 48 V/AC (potentiometer 4.7 k lin.) by exchanging the potentiometer.

**Technical Data:**

Operating voltage: 12 V/AC (10 - 14 V/AC) alternating voltage 50 - 60 Hz (for normal iron core transformers only, not for electronic halogen transformers)

Working mode: phase control

Loading capacity: for ohmic or inductive loads such as lamps, motors, electromagnets etc. up to 50 W (4,5 A)

Dimensions: approx. 59 x 44 x 20 mm (without fastening straps)